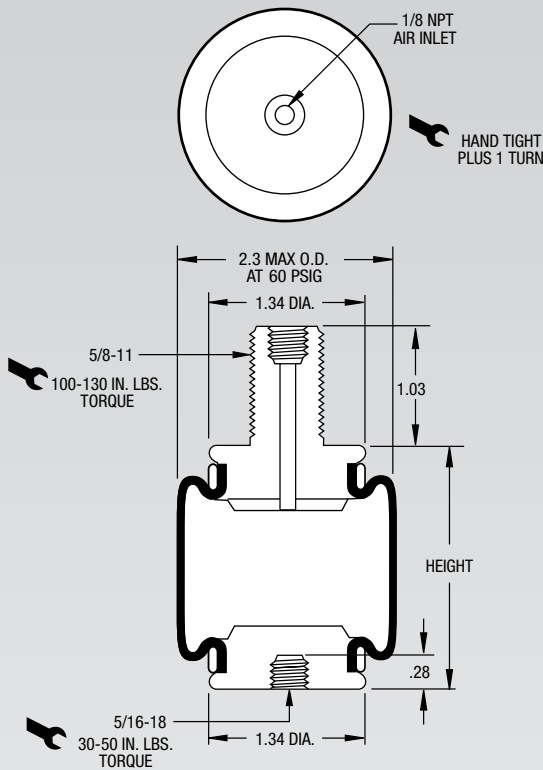


Description		Assembly Order No.
Style 2M2A	Blind nut, 1/8 NPT, plastic studs	W02-358-3008
Two Ply Bellows		
Assembly weight.....		0.15 lbs.
Force to collapse to minimum height (@ 0 PSIG)...		5 lbs.

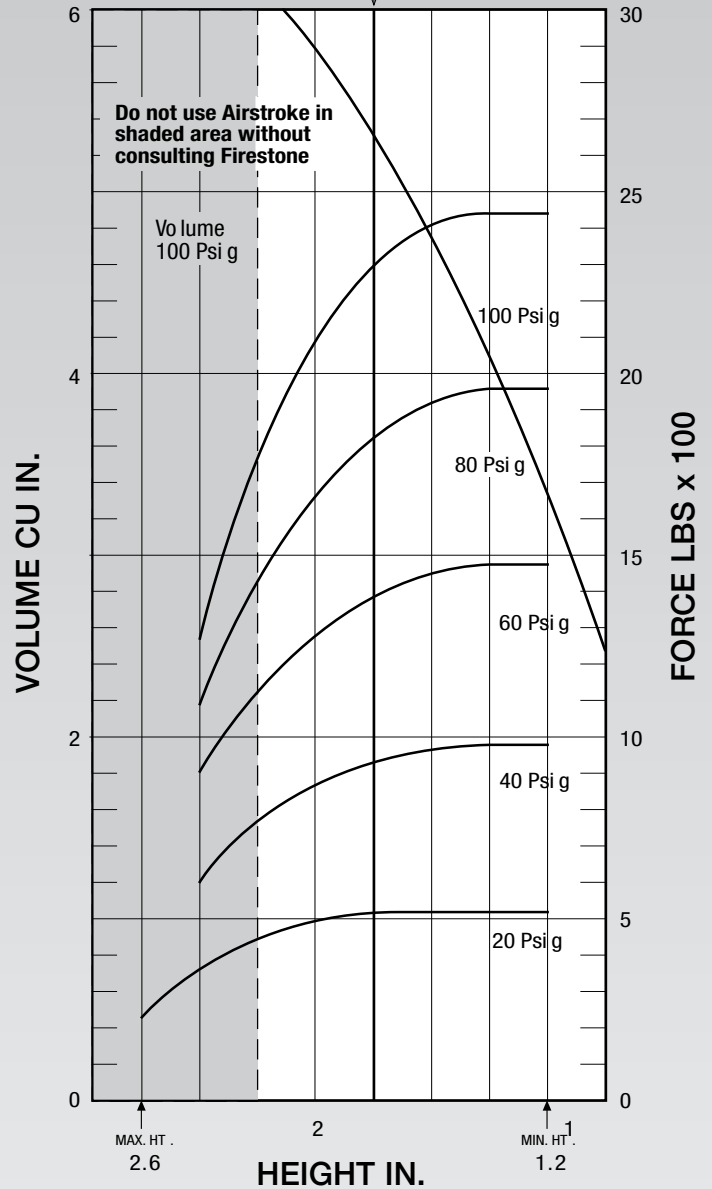
Recommended
Design Position Static
Pressure 0-100 psi

RECOMMENDED
AIRMOUNT
DESIGN HEIGHT
1.8 INCHES



NOTE: This Airstroke actuator must be guided throughout the stroke.

NOTE: The 2M2A is laterally unstable when used unsupported as an isolator. Contact Firestone for use in isolation applications.



See page 12 for instructions on how to use chart.

Dynamic Characteristics at 1.8 in. Design Height (Required for Airmount isolator design only)				
Volume @ 100 PSIG = 4.39 in ³			Natural Frequency	
Gage Pressure (PSIG)	Load (lbs.)	Spring Rate (lbs./in.)	CPM	HZ
40	95	122	213	3.55
60	140	175	210	3.51
80	184	230	210	3.51
100	228	289	211	3.53

Force Table (Use for Airstroke™ actuator design)						
Assembly Height (in.)	Volume @ 100 PSIG (in ³)	Pounds Force				
		@20 PSIG	@40 PSIG	@60 PSIG	@80 PSIG	@100 PSIG
2.2	5.37	40	76	110	140	160
2.0	4.88	44	88	127	167	205
1.8	4.39	52	95	140	184	228
1.6	3.90	52	97	144	192	240
1.4	3.42	52	99	148	196	242
1.2	2.93	52	98	148	196	242