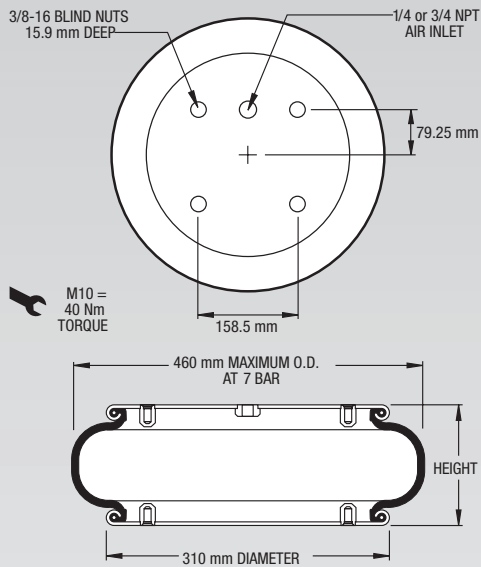


NOTE: All Assembly Order Numbers are for bead plate parts unless noted otherwise.

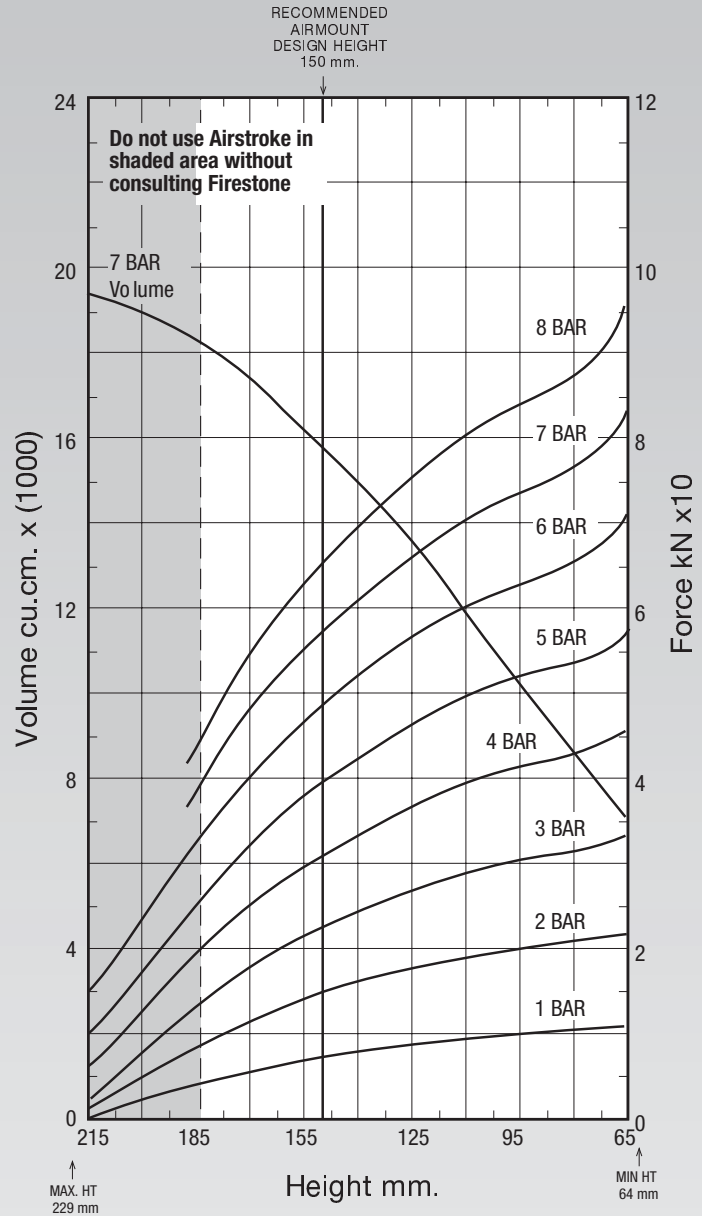
	Description	Assembly Order No.
Style 153-2	Blind nuts, 1/4 NPT	W01-358-8158
Two Ply Bellows		
Assembly weight.....		7.86 kg



NOTE: A bead plate part is shown. This part is also available with bead rings. See pages 8-10 for explanation.

Dynamic Characteristics at 150 mm Design Height
(Required for Airmount isolator design only)

Gauge Pressure (BAR)	Load (kN)	Spring Rate (kN/m)	Natural Frequency Hz
3	22.39	428.74	2.18
4	30.72	555.60	2.12
5	39.04	673.69	2.07
6	48.29	794.88	2.02
7	56.58	911.22	2.00



See page 12 for instructions on how to use chart.

Force Table (Use for Airstroke™ actuator design)

Assembly Height (mm)	Volume @ 7 BAR (cu cm)	EFF Area @ 7 BAR (cm sq)	kN Force				
			@ 3 BAR	@ 4 BAR	@ 5 BAR	@ 6 BAR	@ 7 BAR
180	18085	586	14.48	21.09	27.34	34.71	41.03
165	17075	710	19.02	26.49	33.92	42.34	49.74
150	15865	808	22.39	30.72	39.04	48.29	56.58
135	14493	890	25.09	34.38	43.44	53.33	62.31
120	13057	960	27.37	37.61	47.34	57.70	67.20
105	11469	1016	29.32	40.21	50.50	61.28	71.18
90	9891	1054	30.76	41.86	52.56	63.81	74.18
75	8291	1112	32.00	43.34	54.47	66.62	77.85