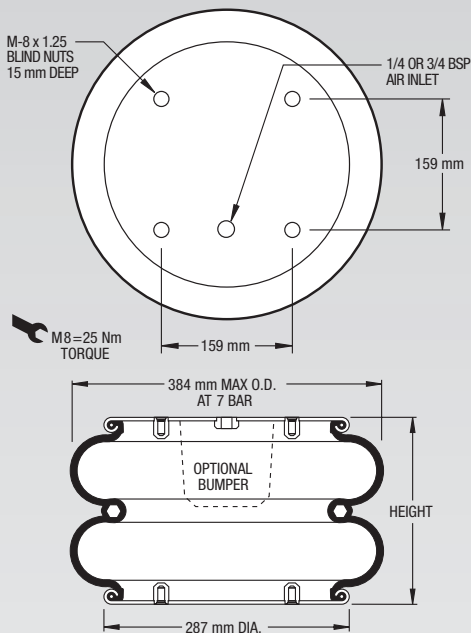


NOTE: All Assembly Order Numbers are for bead plate parts unless noted otherwise.

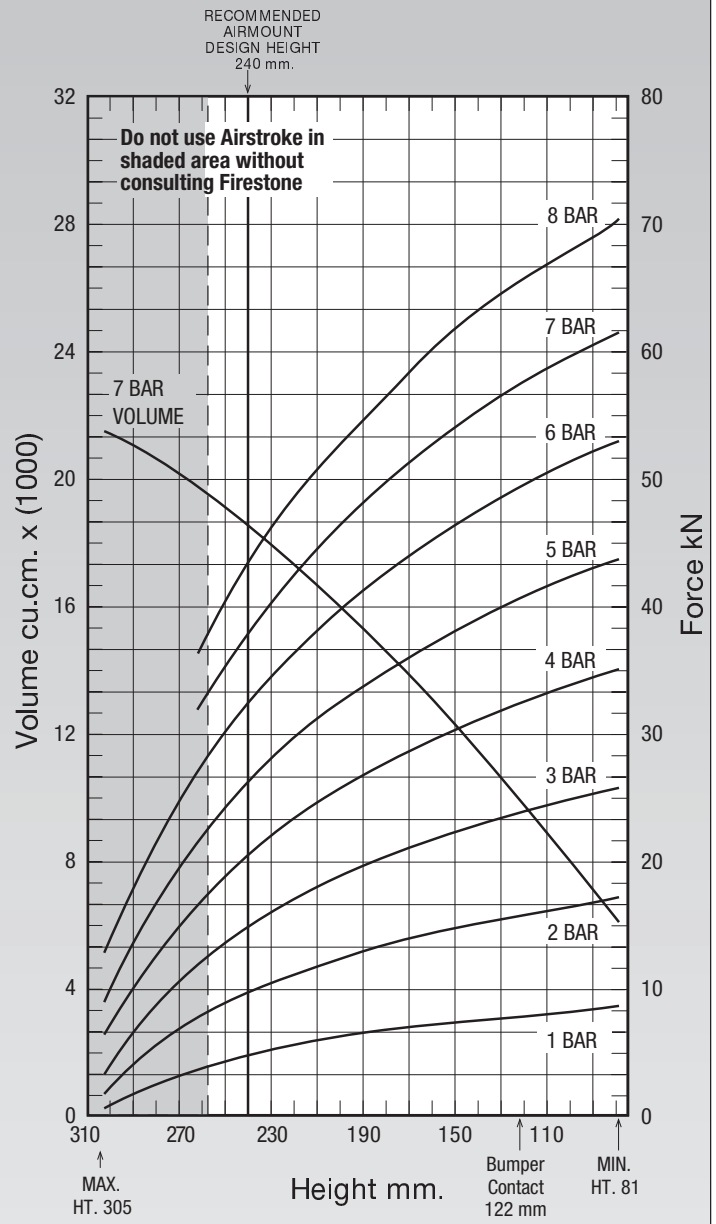
	Description	Assembly Order No.
Style 21	Blind nuts, 1/4 BSP	W01-M58-6114
	Blind nuts, 1/4 BSP, bumper	W01-M58-6115
Two Ply Bellows	Blind nuts, 3/4 BSP	W01-M58-6112
	Blind nuts, 3/4 BSP, bumper	W01-M58-6113
	Countersunk steel bead rings 40 mm bolts, nuts, washers	W01-M58-7710
	Rubber bellows only	W01-358-0213
Assembly weight.....		7.85 kg.
Force to collapse to minimum height (@ 0 BAR)		98 N.

Style 205	Blind nuts, 1/4 BSP	W01-M58-6079
	Blind nuts, 3/4 BSP	W01-M58-6077
Four Ply Bellows	Rubber bellows only	W01-358-7929



NOTE: A bead plate part is shown. This part is also available with bead rings. See pages 8-10 for explanation.

Dynamic Characteristics at 240 mm Design Height (Required for Airmount isolator design only)			
Gauge Pressure (BAR)	Load (kN)	Spring Rate (kN/m)	Natural Frequency Hz
3	14.67	200	1.84
4	20.23	262	1.79
5	25.85	318	1.75
6	31.99	375	1.71
7	37.38	430	1.69



See page 12 for instructions on how to use chart.

Force Table (Use for Airstroke™ actuator design)							
Assembly Height (mm)	Volume @ 7 BAR (cu cm)	EFF Area @ 7 BAR (cm sq)	kN Force				
			@ 3 BAR	@ 4 BAR	@ 5 BAR	@ 6 BAR	@ 7 BAR
240	18574	534	14.67	20.23	25.85	31.99	37.38
220	17382	598	16.77	23.02	29.19	35.86	41.84
200	16033	651	18.51	25.33	31.96	39.08	45.56
180	14575	698	20.01	27.29	34.36	41.93	48.87
160	13022	741	21.33	29.01	36.53	44.56	51.90
140	11385	780	22.48	30.56	38.50	46.92	54.61
120	9732	813	23.47	31.96	40.21	48.91	56.88
100	8023	839	24.34	33.24	41.65	50.51	58.72